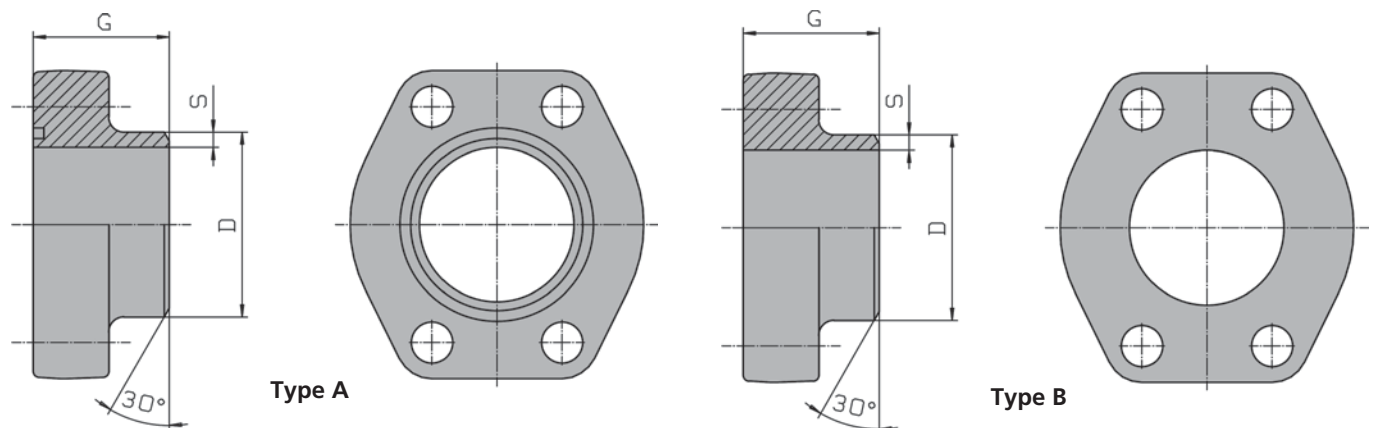


# OTHER PRODUCTS - TECHNICAL DATA

	<b>Page</b>
<b>SAE3000 - SAE 6000 Welding flanges</b>	520-521
<b>SAE3000 - SAE 6000 BSP female flanges</b>	522-523
<b>SAE3000 - SAE 6000 BSP Blind (blanking) flanges</b>	522-523
<b>Service Plugs Yelloc</b>	524
<b>Low Pressure Hose &amp; Couplings</b>	525 - 526
<b>Hose Assembly Selection - Installation</b>	527- 532
<b>Flow Selection Diagram</b>	533
<b>Tread Identification Charts</b>	534
<b>Part.No Equivalence</b>	
<b>Hydra Pipe (Tube-Mac) - GS-Hydro flange parts</b>	535-545
<b>Prefabricated piping spools</b>	546-547

# Welding Flanges SAE 3000

Drilled to ISO 6162-1 (SAE J 518 Code 61)



## Type A c/w o-ring

Size	Part No*	DxS	G	Weight [kg]	W.P. [bar]
1/2"	HP308009A	21.5X4.3	36	0.25	210
3/4"	HP312009A	28.0X4.5	36	0.32	210
1"	HP316009A	34.0X4.5	38	0.45	210
1 1/4"	HP320009A	42.8X5.4	41	0.66	210
1 1/2"	HP324009A	48.6X5.3	44	1.03	210
2"	HP332002A	61.0X5.0	45	1.17	210
2 1/2"	HP340006A	77.0X7.0	50	1.53	210
3"	HP348006A	92.0X9.5	50	2.09	210
4"	HP364007A	115.5X8.3	48	2.70	210

## Type B – flat face

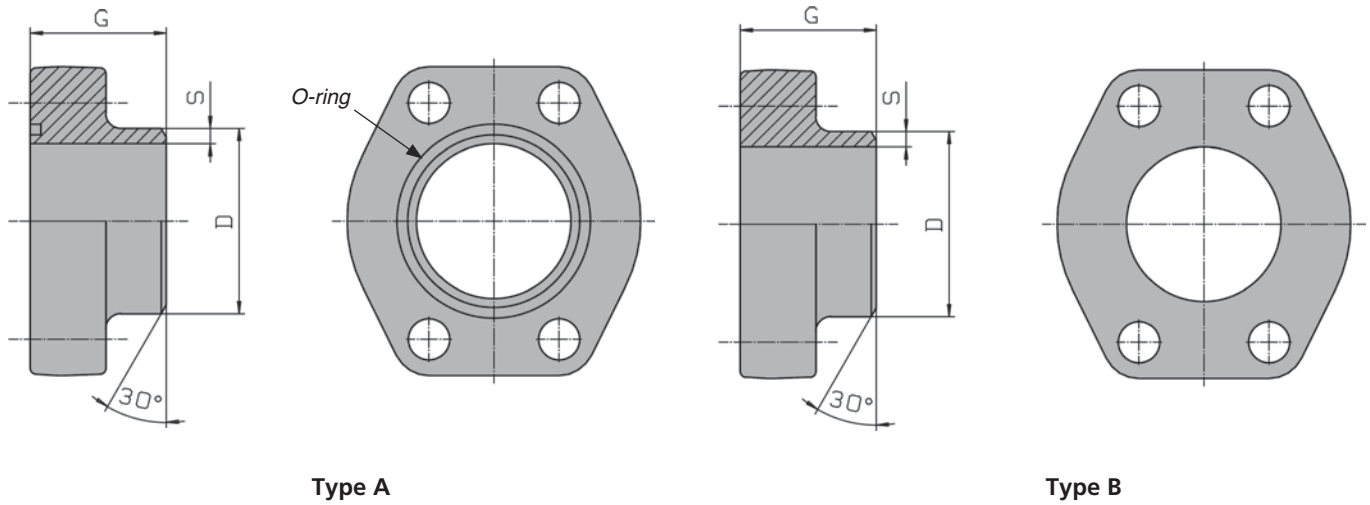
Size	Part No	DxS	G	Weight [kg]	W.P. [bar]
1/2"	HP308009B	21.5X4.3	36	0.25	210
3/4"	HP312009B	28.0X4.5	36	0.39	210
1"	HP316009B	34.0X4.5	38	0.46	210
1 1/4"	HP320009B	42.8X5.4	41	0.71	210
1 1/2"	HP324009B	48.6X5.3	44	1.11	210
2"	HP332002B	61.0X5.0	45	1.19	210
2 1/2"	HP340006B	77.0X7.0	50	1.40	210
3"	HP348006B	92.0X9.5	50	2.15	210
4"	HP364007B	115.5X8.3	48	2.85	210

**Note:**

Available in both mild steel and stainless steel, for stainless steel add -316 to the part.no (HP340069A-316)  
O-ring included in the part.no

# Welding Flanges SAE 6000

Drilled to ISO 6162-2 (SAE J 518 Code 62)



Type A

Type B

## Type A c/w o-ring

Size	Part No	DxS	G	Weight [kg]	W.P. [bar]
1/2"	HP608009A	21.5X4.3	36	0.28	420
3/4"	HP612009A	28.0X4.5	36	0.51	420
1"	HP616009A	34.0X4.5	38	0.80	420
1 1/4"	HP620009A	42.8X5.4	41	1.13	420
1 1/2"	HP624009A	48.6X5.3	44	1.86	420
2"	HP632002A	61.0X5.0	45	3.30	420

## Type B – flat face

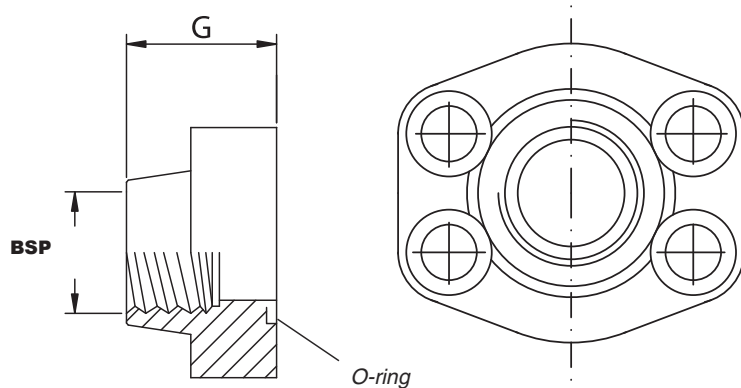
Size	Part No	DxS	G	Weight [kg]	W.P. [bar]
1/2"	HP608009B	21.5X4.3	36	0.26	420
3/4"	HP612009B	28.0X4.5	36	0.50	420
1"	HP616009B	34.0X4.5	38	0.71	420
1 1/4"	HP620009B	42.8X5.4	41	1.20	420
1 1/2"	HP624009B	48.6X5.3	44	1.94	420
2"	HP632002B	61.0X5.0	45	3.42	420

**Note:**

Available in both mild steel and stainless steel, for stainless steel add -316 to the part.no (HP340069A-316)  
O-ring included in the part.no

# BSP Female SAE 3000

Drilled to ISO 6162-1 (SAE J 518 Code 61)



## BSP Female flange c/w o-ring – Type A

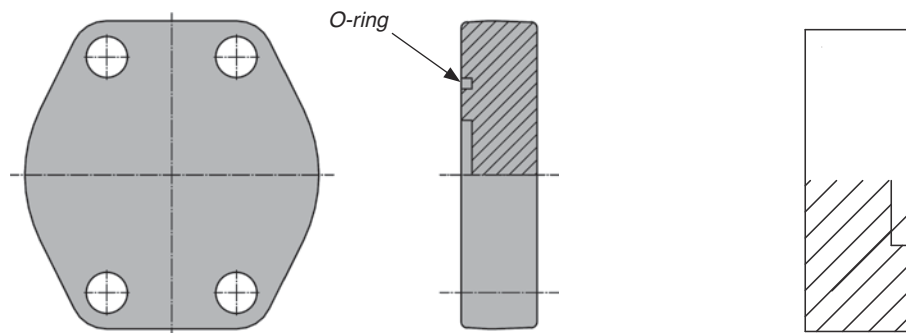
## BSP Female flange Flat Face – Type B

Size	Part No*	BSP	G	B	Weight [kg]	O-Ring	W.P. [bar]
1/2"	HP308013A	1/2"	36	13	0.25	OR18.64X3.53	210
3/4"	HP312013A	3/4"	36	19	0.37	OR25.00X3.53	210
1"	HP316013A	1"	38	25	0.45	OR32.93X3.53	210
1 1/4"	HP320013A	1 1/4"	41	32	0.66	OR37.70X3.53	210
1 1/2"	HP324013A	1 1/2"	44	38	1.05	OR47.23X3.53	210
2"	HP332013A	2"	45	51	1.17	OR56.75X3.53	210
2 1/2"	HP340013A	2 1/2"	50	63	1.59	OR69.44X3.53	210
3"	HP348013A	3"	50	73	2.18	OR85.32X3.53	210
4"	HP364013A	4"	48	99	2.78	OR110.72X3.53	210

\* Part.no for Type A, for Type B add letter B on the Part.no (HP316013B)

**Note:** Available in both mild steel and stainless steel, for stainless steel add -316 to the part.no (HP340069A-316) O-ring included in the part.no

# Blind Flange SAE 3000



## Blind flange c/w o-ring – Type A

## Blind flange Flat Face – Type B

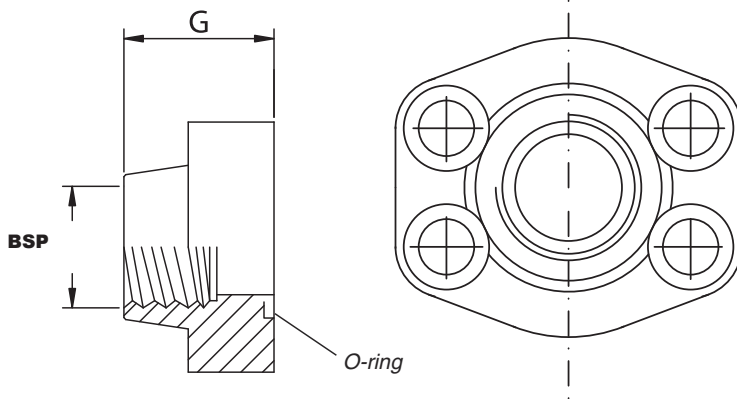
Size	Part No*	Weight [kg]	O-Ring	W.P. [bar]
1/2"	HP308025A	0.24	OR18.64X3.53	210
3/4"	HP312025A	0.30	OR25.00X3.53	210
1"	HP316025A	0.42	OR32.93X3.53	210
1 1/4"	HP320025A	0.55	OR37.70X3.53	210
1 1/2"	HP324025A	0.82	OR47.23X3.53	210
2"	HP332025A	1.08	OR56.75X3.53	210
2 1/2"	HP340025A	1.40	OR69.44X3.53	210
3"	HP348025A	2.38	OR85.32X3.53	210
4"	HP364025A	3.98	OR110.72X3.53	210

\* Part.no for Type A, for Type B add letter B on the Part.no (HP316013B)

**Note:** Available in both mild steel and stainless steel, for stainless steel add -316 to the part.no (HP340069A-316) O-ring included in the part.no

# BSP Female SAE 6000

Drilled to ISO 6162-2 (SAE J 518 Code 62)



**BSP Female flange c/w o-ring – Type A**

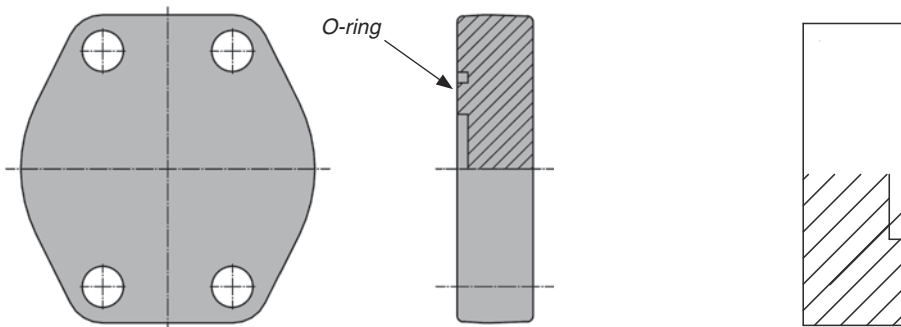
**BSP Female flange Flat Face – Type B**

Size	Part No	BSP	G	B	Weight [kg]	O-Ring	W.P. [bar]
1/2"	HP608013A	1/2"	36	13	0.25	OR18.64x3.53	420
3/4"	HP612013A	3/4"	36	19	0.37	OR25.00x3.53	420
1"	HP616013A	1"	38	25	0.45	OR32.93x3.53	420
1 1/4"	HP620013A	1 1/4"	41	32	0.66	OR37.70x3.53	420
1 1/2"	HP624013A	1 1/2"	44	38	1.05	OR47.23x3.53	420
2"	HP632013A	2"	45	51	1.17	OR56.75x3.53	420

\* Part.no for Type A, for Type B add letter B on the Part.no (HP316013B)

Note: Available in both mild steel and stainless steel, for stainless steel add -316 to the part.no (HP340069A-316) O-ring included in the part.no

# Blind Flange SAE 6000



**Blind flange c/w o-ring – Type A**

**Blind flange Flat Face – Type B**

Size	Part No	Weight [kg]	O-Ring	W.P. [bar]
1/2"	HP608025A	0.24	OR18.64x3.53	420
3/4"	HP612025A	0.30	OR25.00x3.53	420
1"	HP616025A	0.42	OR32.93x3.53	420
1 1/4"	HP620025A	0.55	OR37.70x3.53	420
1 1/2"	HP624025A	0.82	OR47.23x3.53	420
2"	HP632025A	1.08	OR56.75x3.53	420

\* Part.no for Type A, for Type B add letter B on the Part.no (HP316013B)

Note: Available in both mild steel and stainless steel, for stainless steel add -316 to the part.no (HP340069A-316) O-ring included in the part.no