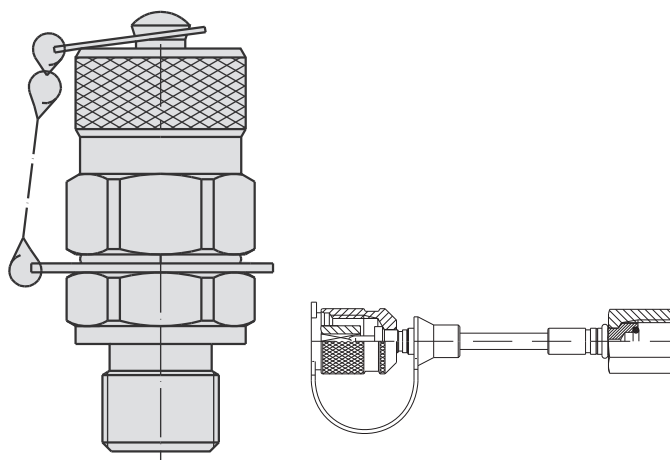
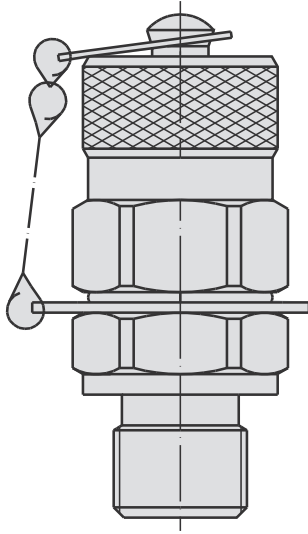


# TEST POINTS (Minimess)

| <b>Product</b>                 | <b>Page</b> |
|--------------------------------|-------------|
| Test points technical data     | 426         |
| Test points BSP, Metric, UNF   | 427         |
| Test points DKO L / S          | 428         |
| Test points DIN2353 L / S      | 429         |
| Test points JIC swivel         | 429         |
| Test points BSP male - female  | 429-430     |
| Test point Bulkhead Connection | 4430        |
| Test points gauge connection   | 431         |
| Test Hoses                     | 432-433     |
| Gauges                         | 434         |
| Test boxes, complete           | 435         |



# TEST POINTS (Minimess)



**TECHNICAL DATA**

Reference norm  
Working pressure  
Burst pressure

ISO 15171-2 08/2000  
630 bar max.  
>2520 bar

**APPLICATIONS**

Pressure check in hydraulic systems  
Lubrication  
Air bleeding  
Oil samples drawing  
Microhydraulics

**FLUIDS**

Hydraulic oils and mineral-based oils  
Compatibility with other fluids: on request

**MATERIALS**

Test point's body and cap made of steel 9SMnPb28K  
Anti-vibration sealing made of BUNA N. (optional)  
Stainless steel AISI 316 - DIN 14436: on request

**FINISH TREATMENT**

Zinc - Nickel or SS 316

**WORKING TEMPERATURE:**

**WITH STEEL CAP**

with sealing in BUNA N.                   -30°C up to +120°C  
with sealing in VITON                    -20°C up to +200°C

## SEALING TYPES ACCORDING TO DIN - ISO - ANSI - BS - JIS

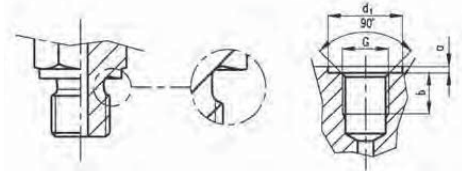
**FORM A**

Sealing by metal ring



**FORM B**

Mechanical sealing



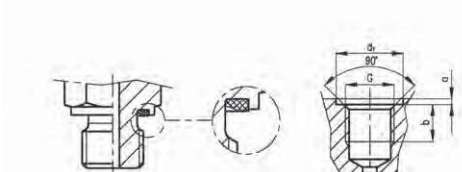
**FORM C**

Sealing by thread



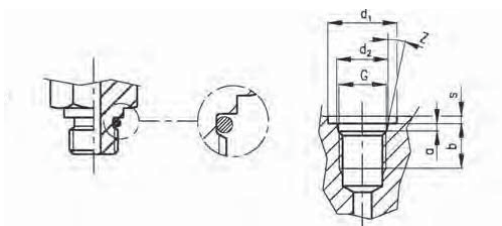
**FORM E**

Sealing by ED soft seal



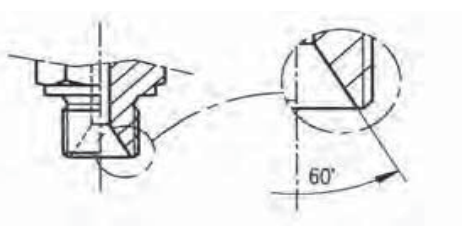
**FORM F**

Sealing by O-ring

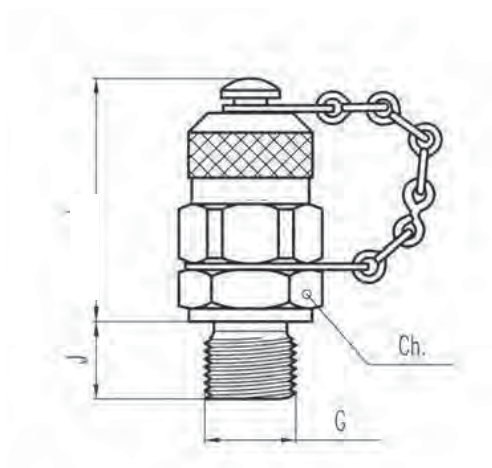


**BS 5200(BSP)**

Mechanical sealing



# TEST POINTS (Minimess)



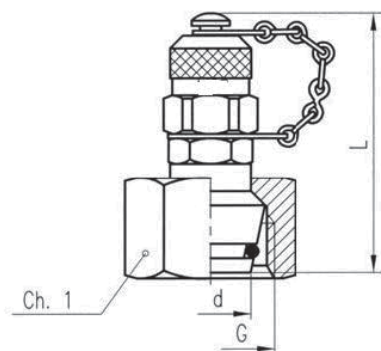
## TEST POINTS BSP-MM-NPT-UNF-JIS

Check-coupling with metal cap

| Part.no                  | Thread<br>G  | Sealing type | p max.  | Dimensions<br>mm |     |       |
|--------------------------|--------------|--------------|---------|------------------|-----|-------|
|                          |              |              |         | L                | Ch. | J±0,2 |
| MINIMESS M10X1.0         | M10 x 1      | FORM A       | 400 bar | 35               | 17  | 8     |
|                          | 1/4" BSP     | FORM A       | 400 bar | 35               | 19  | 12    |
| MINIMESS M12X1.5         | M12 x 1.5    | FORM B       | 400 bar | 35               | 17  | 12    |
| MINIMESS 1/8" BSP        | 1/8" BSP     | FORM B       | 400 bar | 35               | 17  | 8     |
| MINIMESS 1/4" BSP        | 1/4" BSP     | FORM B       | 400 bar | 35               | 19  | 12    |
| MINIMESS 1/8" BSPT       | 1/8" BSP     | FORM C       | 400 bar | 33               | 17  | 8     |
| MINIMESS 1/4" BSPT       | 1/4" BSP     | FORM C       | 630 bar | 33               | 17  | 12    |
| MINIMESS 3/8" BSPT       | 3/8" BSP     | FORM C       | 630 bar | 33               | 22  | 12    |
| MINIMESS 1/8" NPT        | 1/8" NPT     | FORM C       | 400 bar | 33               | 17  | 9.5   |
| MINIMESS 1/4" NPT        | 1/4" NPT     | FORM C       | 630 bar | 33               | 17  | 14    |
| MINIMESS 3/8" NPT        | 3/8" NPT     | FORM C       | 630 bar | 33               | 22  | 14.2  |
| MINIMESS M10X1.0-ED      | M10 x 1      | FORM E       | 400 bar | 35               | 17  | 8     |
| MINIMESS M12X1.5-ED      | M12X1.5      | FORM E       | 630 bar | 35               | 17  | 12    |
| MINIMESS M14X1.5-ED      | M14 x 1.5    | FORM E       | 630 bar | 35               | 19  | 12    |
| MINIMESS M16X1.5-ED      | M16X1.5      | FORM E       | 630 bar | 35               | 22  | 12    |
| MINIMESS 1/8" BSP-ED     | 1/8" BSP     | FORM E       | 400 bar | 35               | 17  | 8     |
| MINIMESS 1/4" BSP-ED     | 1/4" BSP     | FORM E       | 630 bar | 35               | 19  | 12    |
| MINIMESS 3/8" BSP-ED     | 3/8" BSP     | FORM E       | 630 bar | 35               | 22  | 12    |
| MINIMESS M8X1.0-OR       | M8X1         | FORM F       | 250 bar | 35               | 17  | 8.5   |
| MINIMESS M10X1.0-OR      | M10X1        | FORM F       | 630 bar | 35               | 17  | 9.5   |
| MINIMESS M14X1.5-OR      | M14X1.5      | FORM F       | 630 bar | 35               | 19  | 12    |
| MINIMESS 7/16"-18 UNF-OR | 7/16"-18 UNF | FORM F       | 630 bar | 35               | 17  | 11    |
| MINIMESS 1/2"-20 UNF-OR  | 1/2"-20 UNF  | FORM F       | 630 bar | 35               | 17  | 11    |
| MINIMESS 9/16"-18 UNF-OR | 9/16"-18 UNF | FORM F       | 630 bar | 35               | 19  | 12    |
| MINIMESS 3/4"-16 UNF-OR  | 3/4"-16 UNF  | FORM F       | 630 bar | 35               | 22  | 14    |
| MINIMESS 1/4" JIS-OR     | 1/4" JIS     | FORM F       | 630 bar | 35               | 19  | 12    |
| MINIMESS 1/4" BSP 60°    | 1/4" BSP     | BS 5200      | 630 bar | 35               | 19  | 12    |

Material: Zinc-Nickel Mild Steel or Stainless Steel  
 Part No.: Mild Steel  
 For stainless Steel: add -316,

# TEST POINTS (Minimess)



## TEST POINTS

### DKO L/S 24° SEALING CONE

According to DIN 3865

DIN 2353/ISO 8434-1

| Part.no         | Series<br>d mm | Thread<br>G | p max.  | Dimensions<br>mm |      |
|-----------------|----------------|-------------|---------|------------------|------|
|                 |                |             |         | L                | Ch.1 |
| MINIMESS DKO6L  | L 6            | M 12 x 1,5  | 315 bar | 52,5             | 17   |
| MINIMESS DKO8L  | L 8            | M 14 x 1,5  | 315 bar | 52,5             | 17   |
| MINIMESS DKO10L | L 10           | M 16 x 1,5  | 315 bar | 55,5             | 19   |
| MINIMESS DKO12L | L 12           | M 18 x 1,5  | 315 bar | 55,5             | 22   |
| MINIMESS DKO15L | L 15           | M 22 x 1,5  | 315 bar | 60               | 27   |
| MINIMESS DKO18L | L 18           | M 26 x 1,5  | 315 bar | 61               | 32   |
| MINIMESS DKO22L | L 22           | M 30 x 2    | 160 bar | 59,5             | 36   |
| MINIMESS DKO28L | L 28           | M 36 x 2    | 160 bar | 66               | 41   |
| MINIMESS DKO35L | L 35           | M 45 x 2    | 160 bar | 71,5             | 50   |
| MINIMESS DKO42L | L 42           | M 52 x 2    | 160 bar | 74,5             | 60   |
|                 |                |             |         |                  |      |
| MINIMESS DKO6S  | S 6            | M 14 x 1,5  | 630 bar | 52,5             | 17   |
| MINIMESS DKO8S  | S 8            | M 16 x 1,5  | 630 bar | 54,5             | 19   |
| MINIMESS DKO10S | S 10           | M 18 x 1,5  | 630 bar | 55,5             | 22   |
| MINIMESS DKO12S | S 12           | M 20 x 1,5  | 630 bar | 55,5             | 24   |
| MINIMESS DKO14S | S 14           | M 22 x 1,5  | 630 bar | 58,5             | 27   |
| MINIMESS DKO16S | S 16           | M 24 x 1,5  | 400 bar | 61,5             | 30   |
| MINIMESS DKO20S | S 20           | M 30 x 2    | 400 bar | 60,5             | 36   |
| MINIMESS DKO25S | S 25           | M 36 x 2    | 400 bar | 65,5             | 46   |
| MINIMESS DKO30S | S 30           | M 42 x 2    | 400 bar | 67,5             | 50   |
| MINIMESS DKO38S | S 38           | M 52 x 2    | 315 bar | 69,5             | 60   |

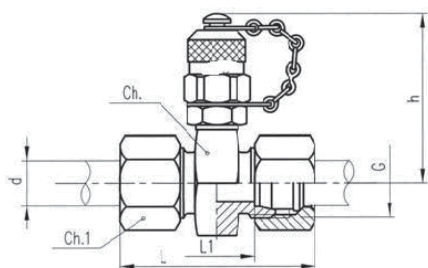
Material: Zinc-Nickel Mild Steel or Stainless Steel

Part No.: Mild Steel

For stainless Steel: add **-316**,

# TEST POINTS (Minimess)

## TEST POINTS DIN 2353 L / S TUBE CONNECTION

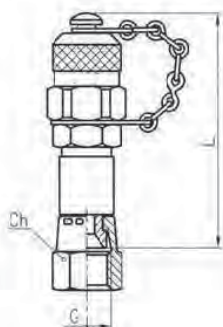


According to DIN 2353/ISO 8434-1

| Part.no       | Series<br>d mm | Thread<br>G | p max.  | Dimensions mm |      |     |      |      |
|---------------|----------------|-------------|---------|---------------|------|-----|------|------|
|               |                |             |         | L             | L1   | Ch. | Ch.1 | h    |
| MINIMESS G6L  | L 6            | M 12 x 1,5  | 315 bar | 54            | 20   | 19  | 14   | 45,5 |
| MINIMESS G8L  | L 8            | M 14 x 1,5  | 315 bar | 54            | 20   | 24  | 17   | 49   |
| MINIMESS G10L | L 10           | M 16 x 1,5  | 315 bar | 59            | 22   | 22  | 19   | 48   |
| MINIMESS G12L | L 12           | M 18 x 1,5  | 315 bar | 59            | 22   | 24  | 22   | 49   |
| MINIMESS G15L | L 15           | M 22 x 1,5  | 315 bar | 64            | 25   | 27  | 27   | 50,5 |
| MINIMESS G18L | L 18           | M 26 x 1,5  | 315 bar | 64            | 25   | 30  | 32   | 62   |
| MINIMESS G22L | L 22           | M 30 x 2    | 160 bar | 71            | 25   | 32  | 36   | 53   |
| MINIMESS G28L | L 28           | M 36 x 2    | 160 bar | 69            | 26   | 41  | 41   | 57,5 |
| MINIMESS G35L | L 35           | M 45 x 2    | 160 bar | 80            | 25   | 50  | 50   | 60   |
| MINIMESS G42L | L 42           | M 52 x 2    | 160 bar | 80            | 27   | 60  | 60   | 64,5 |
| MINIMESS G6S  | S 6            | M 14 x 1,5  | 630 bar | 58            | 24   | 19  | 17   | 46,5 |
| MINIMESS G8S  | S 8            | M 16 x 1,5  | 630 bar | 59            | 24   | 22  | 19   | 48   |
| MINIMESS G10S | S 10           | M 18 x 1,5  | 630 bar | 63            | 24   | 22  | 22   | 48   |
| MINIMESS G12S | S 12           | M 20 x 1,5  | 630 bar | 63            | 24   | 22  | 24   | 48   |
| MINIMESS G14S | S 14           | M 22 x 1,5  | 630 bar | 71            | 24   | 24  | 27   | 49   |
| MINIMESS G16S | S 16           | M 24 x 1,5  | 400 bar | 71            | 25,5 | 27  | 30   | 50,5 |
| MINIMESS G20S | S 20           | M 30 x 2    | 400 bar | 78            | 25,5 | 36  | 36   | 55   |
| MINIMESS G25S | S 25           | M 36 x 2    | 400 bar | 82            | 25,5 | 41  | 46   | 57,5 |
| MINIMESS G30S | S 30           | M 42 x 2    | 400 bar | 91            | 27   | 46  | 50   | 60   |
| MINIMESS G38S | S 38           | M 52 x 2    | 315 bar | 100           | 29   | 55  | 60   | 64,5 |

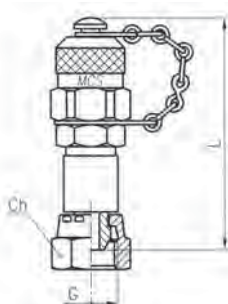
## TEST POINTS SWIVEL JIC 37°

According to ISO 8434-2/SAE J514



| Part.no              | Thread<br>G  | p max.  | Dimensions mm |    |
|----------------------|--------------|---------|---------------|----|
|                      |              |         | L             | L1 |
| MINIMESS JIC 7/16    | 7/16"-20 UNF | 450 bar | 60            | 14 |
| MINIMESS JIC 1/2-20  | 1/2"-20 UNF  | 420 bar | 61            | 17 |
| MINIMESS JIC 9/16-18 | 9/16"-18 UNF | 350 bar | 61            | 19 |
| MINIMESS JIC 3/4-16  | 3/4"-16 UNF  | 350 bar | 54            | 22 |

## TEST POINTS BSP FEMALE



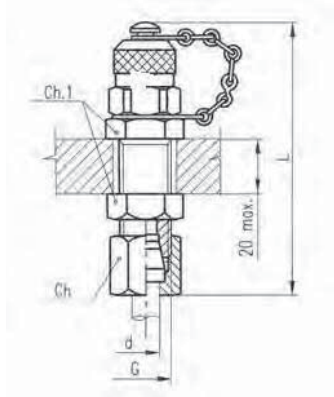
| Part.no                  | Thread<br>G | p max.  | Dimensions mm |     |
|--------------------------|-------------|---------|---------------|-----|
|                          |             |         | L             | Ch. |
| MINIMESS 1/4" BSP FEMALE | BSP 1/4"    | 630 bar | 62            | 19  |

Material: Zinc-Nickel Mild Steel or Stainless Steel

Part No.: Mild Steel

For stainless Steel: add -316,

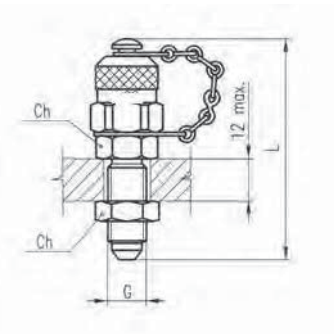
# TEST POINTS (Minimess)



## TEST POINTS BULKHEAD CONNECTION

According to DIN 3861/ISO 8434-1

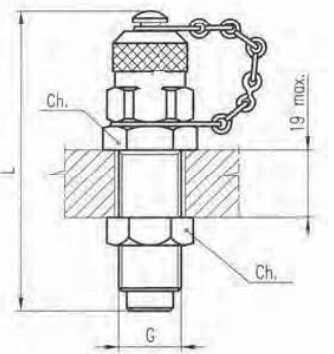
| Part.no                   | Series | Thread     | p max.  | Dimensions mm |    |            |
|---------------------------|--------|------------|---------|---------------|----|------------|
|                           |        |            |         | d mm          | G  | Ch. Ch.1 L |
| MINIMESS Bulkhead DKO 8S  | 8      | M 16 x 1,5 | 630 bar | 19            | 22 | 82         |
| MINIMESS Bulkhead DKO 10S | 10     | M 18 x 1,5 | 630 bar | 22            | 24 | 84         |



## TEST POINTS BULKHEAD CONNECTION

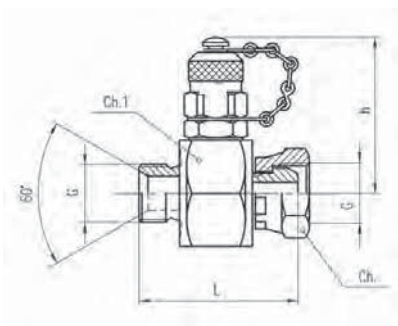
According to SAE J514/ISO 8434-2

| Part.no                   | Thread          | p max.  | Dimensions mm |       |
|---------------------------|-----------------|---------|---------------|-------|
|                           |                 |         | G             | Ch. L |
| MINIMESS Bulkhead 7/16-20 | 7/16"-20 JIC37° | 450 bar | 17            | 68    |



## TEST POINTS BULKHEAD CONNECTION

| Part.no                 | Thread   | p max.  | Dimensions mm |       |
|-------------------------|----------|---------|---------------|-------|
|                         |          |         | G             | Ch. L |
| MINIMESS Bulkhead M16x2 | M 16 x 2 | 630 bar | 19            | 81    |



## TEST POINTS BSP MALE - FEMALE SWIVEL

| Part.no | Thread | p max.  | Dimensions mm |     |      |    |    |      |
|---------|--------|---------|---------------|-----|------|----|----|------|
|         |        |         | L             | Ch. | Ch.1 | h  |    |      |
|         | G1/4"  | 400 bar | 53            | 19  | 18   | 32 | 27 | 55   |
|         | G3/8"  | 400 bar | 60            | 22  | 24   | 32 | 27 | 55   |
|         | G1/2"  | 400 bar | 60            | 27  |      | 32 | 27 | 55   |
|         | G 3/4" | 400 bar | 68            | 32  |      | 32 | 32 | 55   |
|         | G 1"   | 345 bar | 74            | 41  |      | 41 | 41 | 59,5 |

According to BS 5200

Material: Mild Steel or Stainless Steel  
 Part No.: Mild Steel  
 Stainless Steel: add -316,

# TEST POINTS (Minimess)

PYPLOK

FLANGES

PIPES & TUBES

CLAMPS

VALVES

BITE TYPE FITTINGS

HP HOSES

QUICK COUPL.

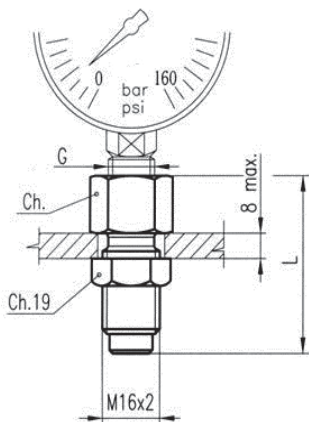
TEST POINTS

ADAPTORS

MACHINES

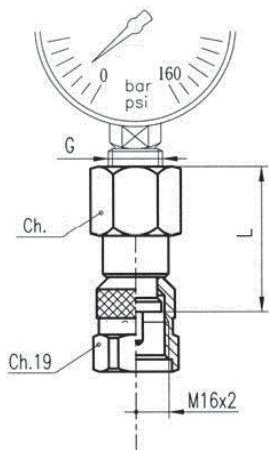
OTHER PRODUCTS

## TEST POINTS GAUGE CONNECTION



| Part.no                    | Thread    | Dimensions mm |     |    |
|----------------------------|-----------|---------------|-----|----|
|                            |           | p max.        | Ch. | L  |
| MINIMESS Manometer 1/4 BSP | * 1/4"    | 630 bar       | 19  | 50 |
| MINIMESS Manometer 1/2 BSP | * 1/2"    | 630 bar       | 27  | 58 |
|                            | 1/4" NPTF | 630 bar       | 19  | 50 |
|                            | 1/2" NPTF | 630 bar       | 27  | 58 |

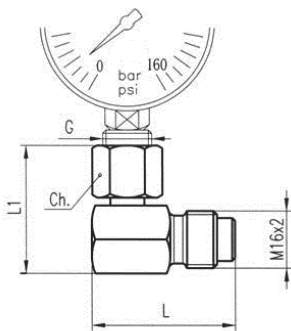
## TEST POINTS GAUGE ADAPTER



| Part.no | Thread    | p max.  | Dimensions mm |    |
|---------|-----------|---------|---------------|----|
|         |           |         | Ch.           | L  |
|         | * 1/4"    | 630 bar | 19            | 34 |
|         | * 1/2"    | 630 bar | 27            | 39 |
|         | 1/4" NPTF | 630 bar | 19            | 34 |

\* Gauge connection acc. EN 837-1

## TEST POINTS 90° GAUGE ADAPTER



| Part.no | Thread | p max.  | Dimensions mm |    |      |
|---------|--------|---------|---------------|----|------|
|         |        |         | Ch.           | L  | L1   |
|         | * 1/4" | 630 bar | 17            | 40 | 40   |
|         | * 1/2" | 630 bar | 27            | 40 | 42,7 |

\* Gauge connection acc. EN 837-1

Material: Mild Steel or Stainless Steel  
 Part No.: Mild Steel  
 Stainless Steel: add -316,

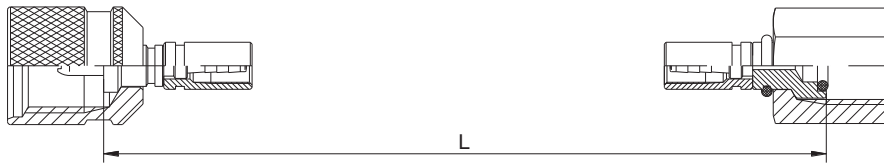
# TEST POINTS (Minimess)

## TEST HOSES

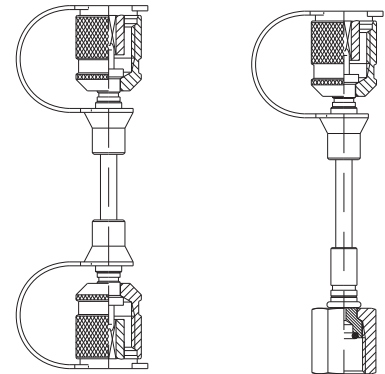
### TECHNICAL DATA

|                              |                      |
|------------------------------|----------------------|
| inside diameter              | 2 mm ±0.1            |
| outside diameter             | 5 mm ±0.1            |
| minimum bend radius          | 20 mm                |
| max. working pressure        | 630 bar              |
| test pressure                | 950 bar              |
| min. burst pressure          | 1900 bar             |
| working temperature          | -40°C +100°C         |
| temperature/working pressure | -20°C +50°C : 100%;  |
| hose                         | polyamide            |
| braid                        | kevlar               |
| cover                        | poliammide polyamide |
| weight per meter             | 18 g                 |

## TEST HOSES Assembled



| Part No              | Length [mm] | Maximum W.P. | Connection 1 | Connection 2   |
|----------------------|-------------|--------------|--------------|----------------|
| Hose L=200 M16/x2    | 200         | 630          | TEST M16x2.0 | TEST M16x2.0   |
| Hose L=200 M16/1/4"  | 200         | 630          | TEST M16x2.0 | GAUGE 1/4" BSP |
| Hose L=400 M16/1/2"  | 200         | 630          | TEST M16x2.0 | GAUGE 1/2" BSP |
| Hose L=400 M16/x2    | 400         | 630          | TEST M16x2.0 | TEST M16x2.0   |
| Hose L=400 M16/1/4"  | 400         | 630          | TEST M16x2.0 | GAUGE 1/4" BSP |
| Hose L=400 M16/1/2"  | 400         | 630          | TEST M16x2.0 | GAUGE 1/2" BSP |
| Hose L=630 M16/x2    | 630         | 630          | TEST M16x2.0 | TEST M16x2.0   |
| Hose L=630 M16/1/4"  | 630         | 630          | TEST M16x2.0 | GAUGE 1/4" BSP |
| Hose L=630 M16/1/2"  | 630         | 630          | TEST M16x2.0 | GAUGE 1/2" BSP |
| Hose L=800 M16/x2    | 800         | 630          | TEST M16x2.0 | TEST M16x2.0   |
| Hose L=800 M16/1/4"  | 800         | 630          | TEST M16x2.0 | GAUGE 1/4" BSP |
| Hose L=800 M16/1/2"  | 800         | 630          | TEST M16x2.0 | GAUGE 1/2" BSP |
| Hose L=1000 M16/x2   | 1000        | 630          | TEST M16x2.0 | TEST M16x2.0   |
| Hose L=1000 M16/1/4" | 1000        | 630          | TEST M16x2.0 | GAUGE 1/4" BSP |
| Hose L=1000 M16/1/2" | 1000        | 630          | TEST M16x2.0 | GAUGE 1/2" BSP |
| Hose L=1500 M16/x2   | 1500        | 630          | TEST M16x2.0 | TEST M16x2.0   |
| Hose L=1500 M16/1/4" | 1500        | 630          | TEST M16x2.0 | GAUGE 1/4" BSP |
| Hose L=1500 M16/1/2" | 1500        | 630          | TEST M16x2.0 | GAUGE 1/2" BSP |
| Hose L=2000 M16/x2   | 2000        | 630          | TEST M16x2.0 | TEST M16x2.0   |
| Hose L=2000 M16/1/4" | 2000        | 630          | TEST M16x2.0 | GAUGE 1/4" BSP |
| Hose L=2000 M16/1/2" | 2000        | 630          | TEST M16x2.0 | GAUGE 1/2" BSP |
| Hose L=2500 M16/x2   | 2500        | 630          | TEST M16x2.0 | TEST M16x2.0   |
| Hose L=2500 M16/1/4" | 2500        | 630          | TEST M16x2.0 | GAUGE 1/4" BSP |
| Hose L=2500 M16/1/2" | 2500        | 630          | TEST M16x2.0 | GAUGE 1/2" BSP |
| Hose L=3200 M16/x2   | 3200        | 630          | TEST M16x2.0 | TEST M16x2.0   |
| Hose L=3200 M16/1/4" | 3200        | 630          | TEST M16x2.0 | GAUGE 1/4" BSP |
| Hose L=3200 M16/1/2" | 3200        | 630          | TEST M16x2.0 | GAUGE 1/2" BSP |



Other lengths available on request.

Material: Mild Steel or Stainless Steel  
 Part No.: Mild Steel  
 Stainless Steel: add -316,



# TEST POINTS (Minimess)

## HOSE FITTINGS

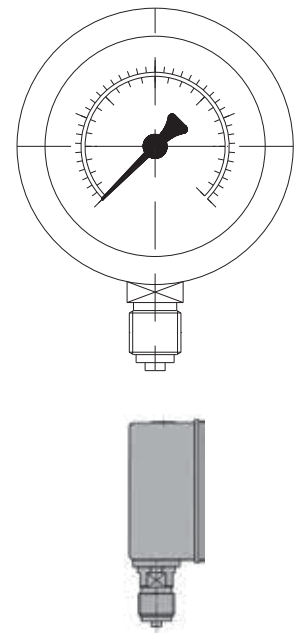
| description  | hose fitting | type | G       | SW      | DN |         |
|--|--------------|------|---------|---------|----|---------|
| Manometer connection<br>Whitworth pipe thread 90° bent<br>G3/8 and G1/2 outer line<br>See depiction type N |              | M    | 1/4     | G1/4    | 19 | 2 and 4 |
|  |              |      | 1/2     | G1/2    | 27 |         |
|  |              |      | 3/8     | G3/8    | 22 | 2       |
|  |              |      |         |         |    |         |
| Manometer connection<br>Whitworth pipe thread 90° bent<br>G3/8 and G1/2 outer line See depiction type N    |              | W    | 1/4     | G1/4    | 19 | 2       |
|  |              |      | 1/2     | G1/2    | 27 |         |
| Manometer connection<br>With 1/4" NPT outer line<br>See depiction type M                                   |              | N    | 1/4     | 1/4 NPT | 19 | 2       |
|  |              |      | 1/2     | 1/2 NPT | 27 |         |
| Manometer connection<br>NPT 90° bent<br>With 1/4" NPT outer line<br>See depiction type M                   |              | A    | 1/4     | 1/4 NPT | 19 | 2 and 4 |
|  |              |      | 1/2     | 1/2 NPT | 27 |         |
| Conical nipple with swivel nut and O-ring for 24° connectors   |              | K    | 6LL     | M10x1.0 | 12 | 4       |
|  |              |      | 6L      | M12x1.5 | 14 | 2 and 4 |
|  |              |      | 8L      | M14x1.5 | 17 | 2 and 4 |
|  |              |      | 10L     | M16x1.5 | 19 | 2 and 4 |
|  |              |      | 12L     | M18x1.5 | 22 | 2 and 4 |
|  |              |      | 6S      | M14x1.5 | 17 | 2 and 4 |
|  |              |      | 8S      | M16x1.5 | 19 | 2 and 4 |
|  |              |      | 10S     | M18x1.5 | 22 | 2 and 4 |
| 12S  | M20x1.5      | 24   | 2 and 4 |         |    |         |
| Conical nipple with swivel nut and O-Ring for 24° connectors 90° bent                                      |              | L    | 6L      | M12x1.5 | 14 | 2 and 4 |
|  |              |      | 8L      | M14x1.5 | 17 |         |
|  |              |      | 10L     | M16x1.5 | 19 |         |
|  |              |      | 6S      | M14x1.5 | 17 |         |
|  |              |      | 8S      | M16x1.5 | 19 |         |
|  |              |      | 10S     | M18x1.5 | 24 |         |

# TEST POINTS ((Minimess))

## GAUGE

### Bottom connection

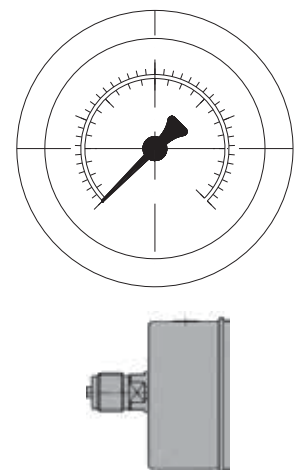
| Part.no           | Type | Connection | Scale [bar] |     | Display | Dia | House    |
|-------------------|------|------------|-------------|-----|---------|-----|----------|
|                   |      |            | from        | to  |         |     |          |
| Manometer -1 0    | A    | 1/4" BSP   | -1          | 0   | bar/PSI | 63  | AISI 304 |
| Manometer -1 +1,5 | A    | 1/4" BSP   | -1          | 1,5 | bar/PSI | 63  | AISI 304 |
| Manometer -1 +5.0 | A    | 1/4" BSP   | -1          | 5   | bar/PSI | 63  | AISI 304 |
| Manometer 0-1.0   | A    | 1/4" BSP   | 0           | 1   | bar/PSI | 63  | AISI 304 |
| Manometer 0-1.6   | A    | 1/4" BSP   | 0           | 1,6 | bar/PSI | 63  | AISI 304 |
| Manometer 0-2.5   | A    | 1/4" BSP   | 0           | 2,5 | bar/PSI | 63  | AISI 304 |
| Manometer 0-4.0   | A    | 1/4" BSP   | 0           | 4   | bar/PSI | 63  | AISI 304 |
| Manometer 0-6.0   | A    | 1/4" BSP   | 0           | 6   | bar/PSI | 63  | AISI 304 |
| Manometer 0-10    | A    | 1/4" BSP   | 0           | 10  | bar/PSI | 63  | AISI 304 |
| Manometer 0-16    | A    | 1/4" BSP   | 0           | 16  | bar/PSI | 63  | AISI 304 |
| Manometer 0-25    | A    | 1/4" BSP   | 0           | 25  | bar/PSI | 63  | AISI 304 |
| Manometer 0-60    | A    | 1/4" BSP   | 0           | 60  | bar/PSI | 63  | AISI 304 |
| Manometer 0-100   | A    | 1/4" BSP   | 0           | 100 | bar/PSI | 63  | AISI 304 |
| Manometer 0-160   | A    | 1/4" BSP   | 0           | 160 | bar/PSI | 63  | AISI 304 |
| Manometer 0-250   | A    | 1/4" BSP   | 0           | 250 | bar/PSI | 63  | AISI 304 |
| Manometer 0-300   | A    | 1/4" BSP   | 0           | 300 | bar/PSI | 63  | AISI 304 |
| Manometer 0-400   | A    | 1/4" BSP   | 0           | 400 | bar/PSI | 63  | AISI 304 |
| Manometer 0-600   | A    | 1/4" BSP   | 0           | 600 | bar/PSI | 63  | AISI 304 |



## GAUGE

### Back connection

| Part.no           | Type | Connection | Scale [bar] |     | Display | Dia | House    |
|-------------------|------|------------|-------------|-----|---------|-----|----------|
|                   |      |            | from        | to  |         |     |          |
| Manometer -1 0    | B    | 1/4" BSP   | -1          | 0   | bar/PSI | 63  | AISI 304 |
| Manometer -1 +1,5 | B    | 1/4" BSP   | -1          | 1,5 | bar/PSI | 63  | AISI 304 |
| Manometer -1 +5.0 | B    | 1/4" BSP   | -1          | 5   | bar/PSI | 63  | AISI 304 |
| Manometer 0-1.0   | B    | 1/4" BSP   | 0           | 1   | bar/PSI | 63  | AISI 304 |
| Manometer 0-1.6   | B    | 1/4" BSP   | 0           | 1,6 | bar/PSI | 63  | AISI 304 |
| Manometer 0-2.5   | B    | 1/4" BSP   | 0           | 2,5 | bar/PSI | 63  | AISI 304 |
| Manometer 0-4.0   | B    | 1/4" BSP   | 0           | 4   | bar/PSI | 63  | AISI 304 |
| Manometer 0-6.0   | B    | 1/4" BSP   | 0           | 6   | bar/PSI | 63  | AISI 304 |
| Manometer 0-10    | B    | 1/4" BSP   | 0           | 10  | bar/PSI | 63  | AISI 304 |
| Manometer 0-16    | B    | 1/4" BSP   | 0           | 16  | bar/PSI | 63  | AISI 304 |
| Manometer 0-25    | B    | 1/4" BSP   | 0           | 25  | bar/PSI | 63  | AISI 304 |
| Manometer 0-60    | B    | 1/4" BSP   | 0           | 60  | bar/PSI | 63  | AISI 304 |
| Manometer 0-100   | B    | 1/4" BSP   | 0           | 100 | bar/PSI | 63  | AISI 304 |
| Manometer 0-160   | B    | 1/4" BSP   | 0           | 160 | bar/PSI | 63  | AISI 304 |
| Manometer 0-250   | B    | 1/4" BSP   | 0           | 250 | bar/PSI | 63  | AISI 304 |
| Manometer 0-300   | B    | 1/4" BSP   | 0           | 300 | bar/PSI | 63  | AISI 304 |
| Manometer 0-400   | B    | 1/4" BSP   | 0           | 400 | bar/PSI | 63  | AISI 304 |
| Manometer 0-600   | B    | 1/4" BSP   | 0           | 600 | bar/PSI | 63  | AISI 304 |



Other Gauge types and sizes available on request

# TEST POINTS (Minimess)

## BOXES FOR PRESSURE CHECK



### MODEL 750.KP1

- 1 Plastic box
  - 2 Glycerine-filled gauges
  - 1 Micro-hose 2000mm
- Dimensions 240x200x40mm

### MODEL 750.KP2

- 1 Plastic box
  - 2 Glycerine-filled pressure gauges
  - 2 Test points
  - 1 Micro-hose 200mm
  - 2 Pressure gauge connections
  - 1 Pressure gauge adapter
  - 1 Reducer
  - 1 Reducer
  - 1 Test point
  - 1 Test point
- Dimensions 390 x 200 x 80 mm

### MODEL 750.KP2.DG

- 1 Plastic box
  - 1(2) Pressure gauge digital
  - 1 Test point
  - 1 Test point
  - 1 Test point
  - 1 Test point
  - 1 Reducer
  - 1 Reducer
  - 1 Pressure gauge adapter
  - 1 Micro-hose 1000mm
- Dimensions 390 x 200 x 80 mm